

DESCRIPTION AND MAINTENANCE INSTRUCTIONS

PULLER ENGINE LORD BUSHINGS

27LM/172 & 27LM/187

INFORMATION

1 Information received from the field points out that the 26JU/TS691 puller set for the engine lord mount bushings 27LM/172 and 27LM/187 are awkward to use and cause galling to the engine mount. Recommendations were further made to modify these pullers to increase the efficiency of their use. This was investigated and is recommended for adoption.

INSTRUCTION

2 TS691 puller (LARGE)

- (a) Form and weld handle, mild steel bar 1/4" x 3/4" x 10" to the bushing as per Figure 1.
- (b) Machine puller nut as per Figure 1.

3 TS691 puller (SMALL)

- (a) Form and weld handle, mild steel bar 1/4" x 3/4" x 10" to the bushing as per Figure 2.
- (b) Machine puller nut as per Figure 2.

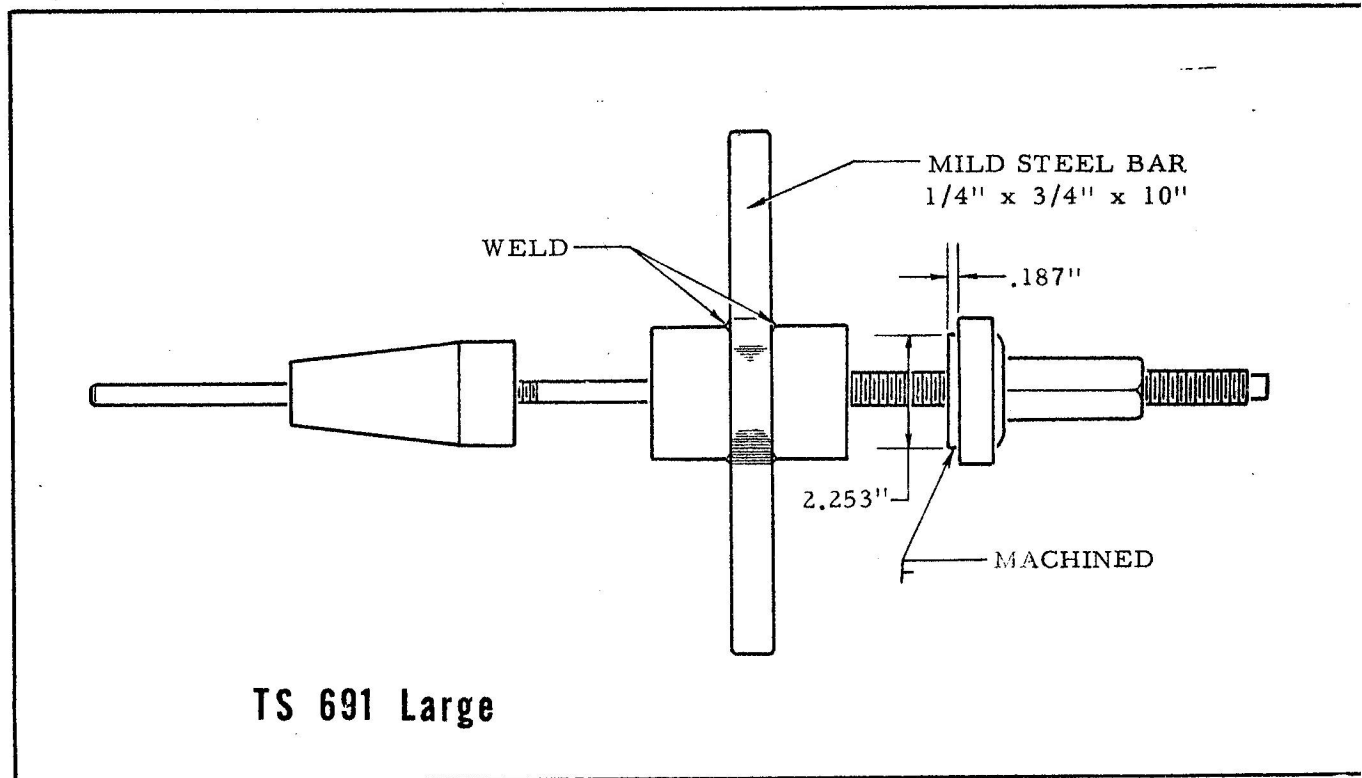


Figure 1

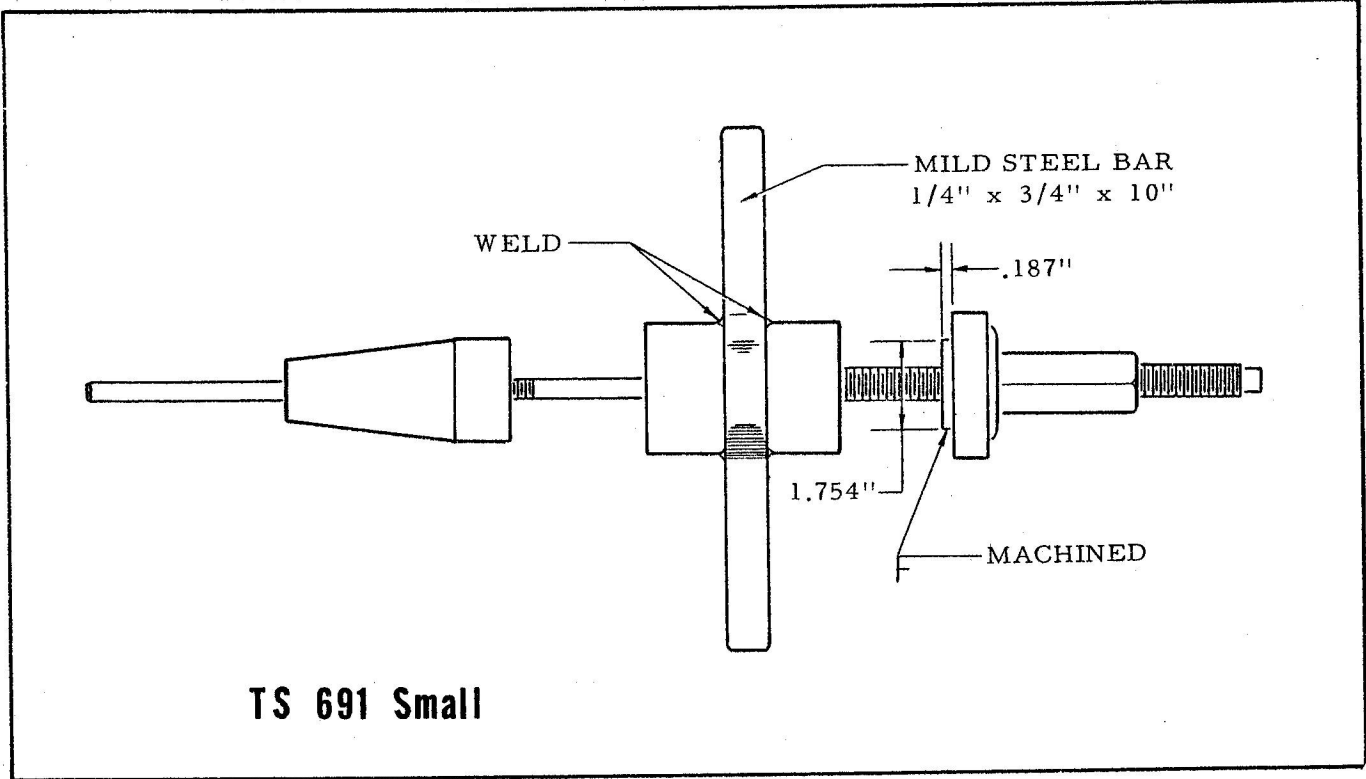


Figure 2

ISSUED ON AUTHORITY OF THE CHIEF OF THE AIR STAFF